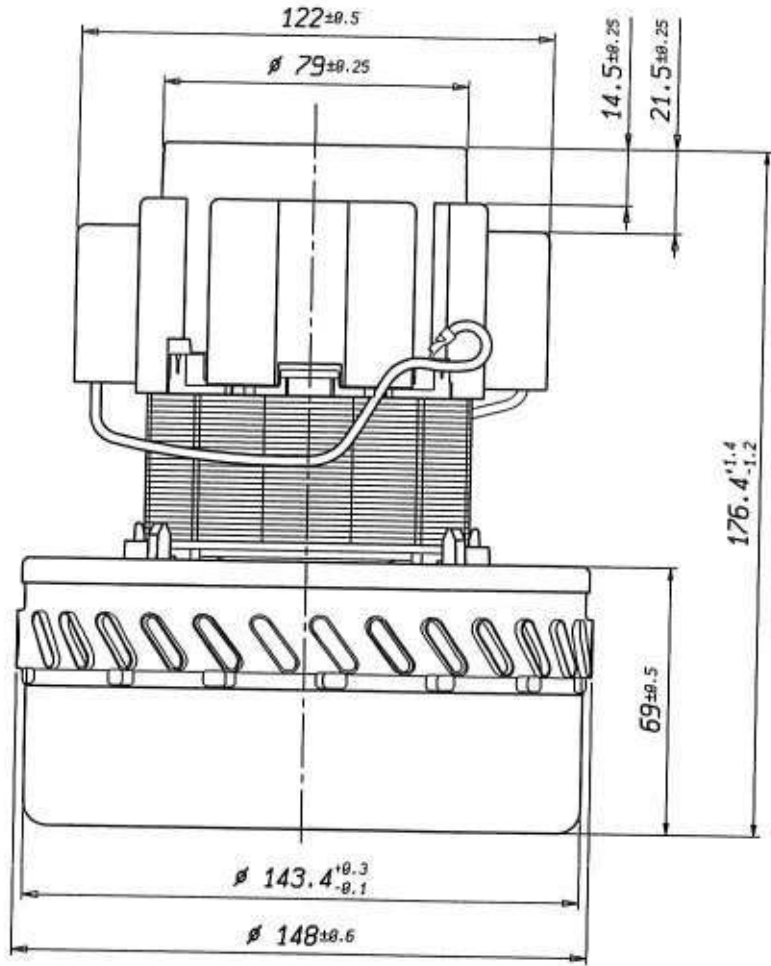


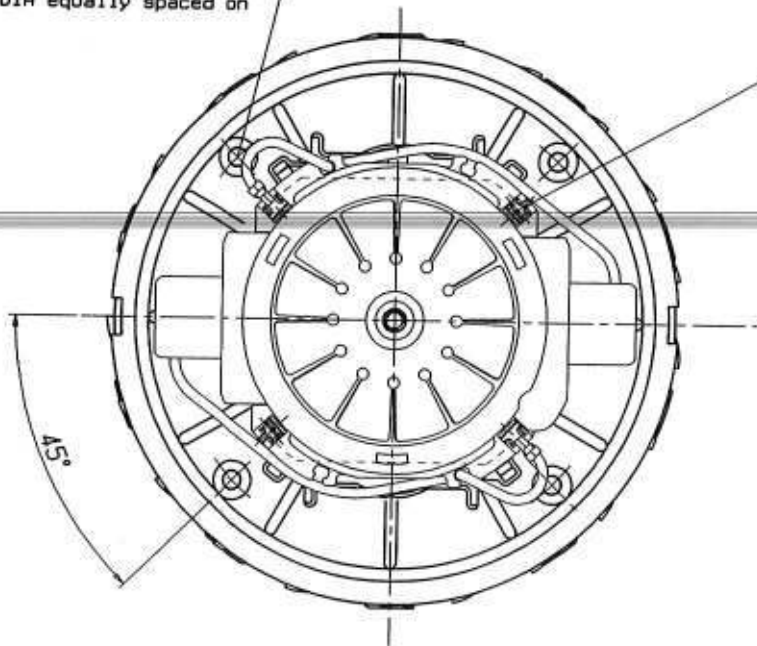
VALIDO SOLO PER SOTECO



1

CONNESSIONE CON TERMINALE "POKE IN TAB" AMP Cod.Art.281622-2  
 CONNECTION WITH "POKE IN TAB" TERMINAL AMP Cod.Art.281622-2

N°4 fori Ø4.5 equidistanti sul Ø117.5  
 N°4 holes .1770DIA equally spaced on  
 a 4.6250DIA



**AMETEK**<sup>®</sup>  
 ITALIA S.r.l., VACUUM PRODUCTS

Denominazione  
 Title  
**DIMENSIONI DI INGOMBRO**  
**OVERALL DIMENSIONS**  
 MOT.BY2II.1200W.230V.

Data  
 Date 28/08/07

Firma  
 Sign *PC*

Modello  
 Model

061300470\*

TEST N° : 14318  
MOTOR TYPE : 061300470\*  
NAME :

DATE : 03/07/07  
VOLTAGE : 230 HZ : 50  
APPLIANCE:

3.1

AIR FLOW PERFORMANCE -  $Q = 0.0019 \cdot D^2 \cdot H \cdot \text{Corr}^{0.5}$

| ORIFICE | A    | Win  | Win<br>Corr. | RPM   | HA<br>mmH2O | H CORR.<br>mmH2O | Q<br>l/sec. | Wout  | EFP.<br>% |
|---------|------|------|--------------|-------|-------------|------------------|-------------|-------|-----------|
| 48.0    | 5.75 | 1250 | 1259.4       | 20678 | 160         | 161              | 55.5        | 87.7  | 7.0       |
| 40.0    | 5.73 | 1247 | 1256.4       | 22535 | 304         | 306              | 53.2        | 159.6 | 12.7      |
| 30.0    | 5.72 | 1243 | 1252.4       | 20114 | 702         | 706              | 45.4        | 315.0 | 25.1      |
| 23.0    | 5.71 | 1241 | 1250.4       | 20373 | 1165        | 1172             | 34.4        | 395.8 | 31.7      |
| 19.0    | 5.52 | 1199 | 1208.0       | 20859 | 1436        | 1445             | 26.1        | 369.6 | 30.6      |
| 16.0    | 5.19 | 1128 | 1136.5       | 21417 | 1619        | 1629             | 19.6        | 313.8 | 27.6      |
| 13.0    | 4.79 | 1047 | 1054.9       | 22263 | 1788        | 1799             | 13.6        | 240.4 | 22.8      |
| 10.0    | 4.29 | 944  | 951.1        | 23067 | 1941        | 1953             | 8.4         | 160.9 | 16.9      |
| 6.5     | 3.86 | 853  | 859.4        | 24477 | 2095        | 2108             | 3.7         | 76.2  | 8.9       |
| 0.0     | 3.49 | 775  | 780.8        | 25058 | 2313        | 2328             | 0.0         | 0.0   | 0.0       |

REMARKS : MEASUREMENTS CARRIED OUT AFTER 1', WITH SEALED ORIFICE AFTER 20''  
TEST CARRIED OUT WITH MOTOR ON MEASURING BOX

VOLTMETER: NORMA D5135 AMPEROMETER: NORMA D5135 WATTMETER: NORMA D5135

AMBIENT °C : 26 ATM. PRESS. mmHg : 763 RH % : 42

AIR DENSITY RATIO : 0.985

CORRECTION FACTORS IN TERMS OF AIR DENSITY (20°C - RH50% - 760mmHg)

WIN CORRECTION FACTOR : 1.008 DEPRESSURE CORR. FACTOR H : 1.006

Sign : *Paolo B. Rossi*